

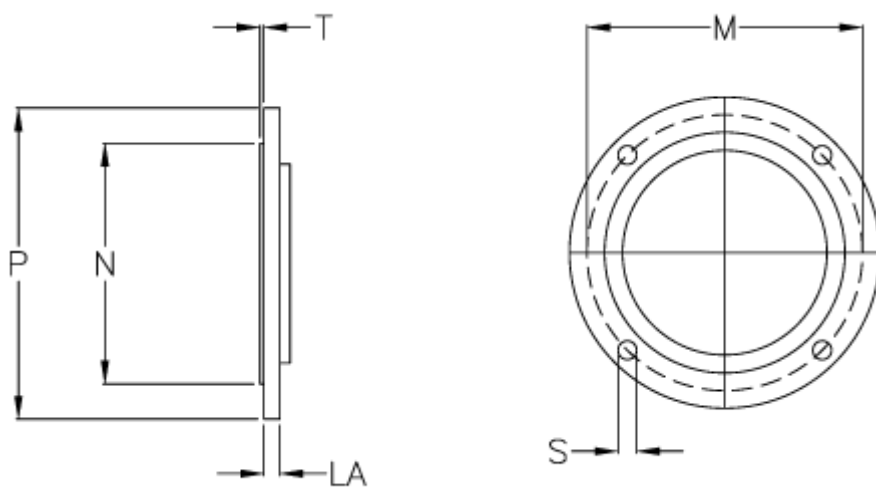
Data Sheet



Article number: 259610003050

Description: Flange B5
for Bonfiglioli motor size BN 100

Measures



LA = 14.0

M = 215

N = 180

P = 250

S = 14

Size = BN 100 B5

T = 4.0